

# Fingerprint & RFID Flap Barrier



**FB1000: Single Lane Flap Barrier**

**FB1011: Single Lane Flap Barrier with RFID Access Control System**

**FB1022: Single Lane Flap Barrier with Fingerprint and RFID Access Control System**

**FB1200: Double Wing Flap Barrier for Additional Lane**

**FB1211: Double Wing Flap Barrier for Additional Lane with RFID Access Control System**

**FB1222: Double Wing Flap Barrier for Additional Lane with Fingerprint and RFID Access Control System**

FB1000 is a single-lane flap barrier consisting of a master-device and a slave-device to form an entrance.

FB1200 is a double-wing flap barrier to be equipped with FB1000 to form multi-entrances.

Flap Barriers are well adopted in entrances and exits of buildings or construction sites, to help tracking staffs and visitors. Only authorized users are able to access to specific areas through the flap barriers. Lights on the barriers are to indicate status of the flap barriers. Steady green lights indicate locked barriers. Blinking green lights indicate accessible barriers.

assembled access control system significantly reduces costs for business partners. RFID, fingerprint verification, face recognition, and vein verification technologies are available for options of flexible access control system.

## Features

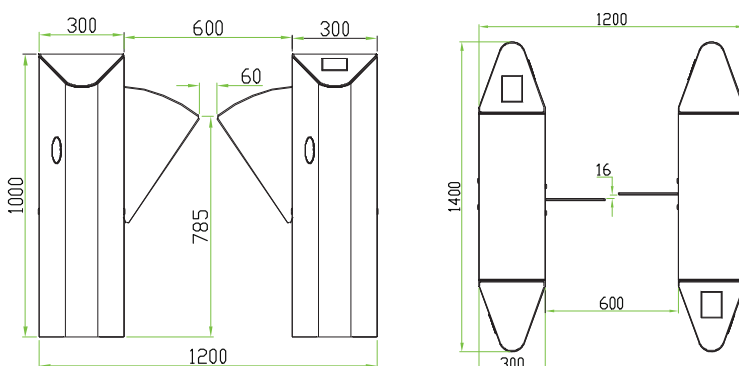
- Electronic Anti-Pinch Function: Auto-suspension of door closure when human is detected.
- Direct Current Operation: Low failure rate to ensure stability and reliability
- Alarm Function: Auto warning and alarming if unauthorized entry with swiping card occurs.
- Flexible switching of reader panel to assemble various readers.

## Specifications

Passage Width	600mm
Capacity	25-30/minute
Flap opening/closing time	1S
Overall Width	1200mm
Barrier Height	785mm
Power Supply	AC110-220V,50Hz/60Hz
Operating Power Consumption	80W
Stationary Power Consumption	30W
Temperature	-28 to 60 °C
Net Weight	143Kg(FB1000) 86Kg(FB1200)
Gross Weight	212Kg(FB1000) 121Kg(FB1200)
Two way traffic	Yes
Automatic operation	Yes
Advanced sensor system	Yes
Audible alarm	Yes
LED lighting	Yes
Traffic indicator lights	Yes
Fail-safe	Yes

Model	FB1000	FB1011	FB1022	FB1200	FB1211	FB1222
Access Control	N/A	C3-200	InBio260	N/A	C3-200	InBio260
Reader	N/A	2*KR100E	2*FR1200	N/A	2*KR100E	2*FR1200
Card Capacity	N/A	30,000	30,000	N/A	30,000	30,000
Fingerprint Capacity	N/A	N/A	3,000	N/A	N/A	3,000
Event Capacity	N/A	100,000	100,000	N/A	100,000	100,000

## Dimensions (mm)



Hi-Top Technology Co., Ltd  
 171/4-5 Hi-Top Building, Soi Ladprao 80, Ladprao Road,  
 Wangthonglang, Bangkok 10310  
 T.0-2995-3293 e-mail : sales@hitop.co.th www.hitop.co.th